

7.5 - CODO CONDUIT RIGIDO DE ALUMINIO.

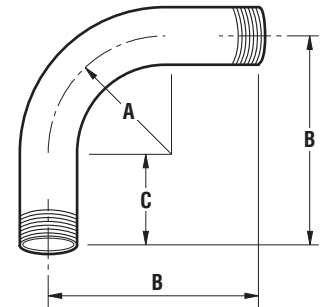
Hoja: 1 / 1
Page:

7.5 - ALUMINUM RIGID ELBOW.

FICHA TECNICA / TECHNICAL DATA

007 - RW - 311

- Fabricados en aluminio 6063, sin costura. T1, T5
Cumple especificaciones de:
Underwriters Laboratories UL-6A
ANSI C80.5
- Rosca NPT
- 6063 aluminum alloy. T1, T5
Compliances:
Underwriters Laboratories UL-6A
ANSI C80.5
- NPT threaded



USAR No. DE CODIGO PARA HACER PEDIDOS / TO ORDER USE CODE NUMBER

Catalogo Catalog	Codigo Code	Medida Nominal Size		Diametro exterior Outside diameter		Diametro interior Inside diameter		Espesor de pared Wall thickness		A		B		C		Peso x 100 Weight x 100	
		mm	inch	mm	inch	mm	inch	mm	inch	mm	inch	mm	inch	mm	inch	kg	Lb
CAL-13-R	12.40.3442	12.7	1/2	21.34	0.840	16.05	0.632	2.64	0.104	101.6	4.0	219	8.62	115	4.52	13.2	29.0
CAL-19-R	12.40.3443	19.0	3/4	26.67	1.050	21.23	0.836	2.72	0.107	114.3	4.5	216	8.50	115	4.52	19.6	43.0
CAL-25-R	12.40.3444	25.4	1	33.40	1.315	27.00	1.063	3.20	0.126	146.1	5.75	249	9.80	106	4.17	32.3	71.0
CAL-32-R	12.40.3445	31.8	1 1/4	42.16	1.660	35.41	1.394	3.38	0.133	184.2	7.25	291	11.45	112	4.40	50.0	110.0
CAL-38-R	12.40.3446	38.1	1 1/2	48.26	1.900	41.25	1.624	3.51	0.138	209.6	8.25	346	13.62	140	5.51	69.6	153.0
CAL-50-R	12.40.3447	50.8	2	60.33	2.375	52.91	2.083	3.71	0.146	241.3	9.50	385	15.15	150	5.90	113.2	249.0
CAL-63-R	12.40.3869	63.5	2 1/2	73.02	2.875	63.98	2.518	4.52	.178	266.7	10.5	400.0	15.75	133.3	5.25	181.8	400
CAL-76-R	12.40.3870	76.2	3	88.9	3.500	79.30	3.122	4.80	.189	330.2	13.0	476.2	18.75	146.0	5.75	292.7	644
CAL-89-R	12.40.3871	88.9	3 1/2	101.6	4.000	91.56	3.604	5.02	.198	381.0	15.0	552.4	21.75	171.4	6.75	383.6	844
CAL-102-R	12.40.3872	101.6	4	114.3	4.500	103.80	4.086	5.25	.207	406.4	16.0	584.2	23.00	177.8	7.00	479.5	1055
CAL-127-R	12.40.3873	127.0	5	141.3	5.563	129.80	5.111	5.74	.226	609.6	24.0	914.4	36.00	279.4	11.00	1068.1	2350
CAL-152-R	12.40.3874	152.4	6	168.2	6.625	155.76	6.132	6.22	.245	762.0	30.0	1079.5	42.50	317.5	12.50	1681.8	3700

Medida Nominal Size		Piezas x atado Pieces per bundle	Std. Pkg. Pzas. Pcs.
mm	inch		
12.7	1/2		30
19.0	3/4		30
25.4	1		15
31.8	1 1/4		15
38.1	1 1/2		8
50.8	2		1
63.5	2 1/2		1
76.2	3		1
88.9	3 1/2		1
101.6	4		1
127	5		1
152.4	6		1

Especificaciones sujetas a cambio sin previo aviso. Specifications are subject to change without notice.

RAWELT, S.A. de C.V.

RAWELT® INYECTADOS
Una División del Grupo **REVUELTA**



Cotización/Quotation Plazo de embarque* / Shipment exw*

Pedido No./Purchase order :

Our ref.:

Fecha/Date: Vendedor/Salesman: No.

Facturar a/Invoice to: RFC.

Ordenado por/Ordered by: Tel. () Fax ()

Dirección/Address:

..... C.P./Zip. Lugar/City/Country:

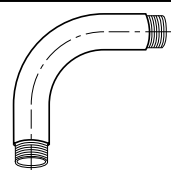
Consignar a/Ship to:

..... Embarcar: Camión x Cobrar Pagado Paquete

Cond. de Pago/Terms:

Cond. de Venta/Sale conditions: L.P.:

Código Code	Medida nominal Hub size		Pzas. x Atado Pcs. x Bundle	Unit. Ctn. Pzas. Pcs.	Ship. Ctn. Pzas. Pcs.	Std. Pkg. Pzas. Pcs.	Cantidad Qty.
	mm	inch					
	12.40.3442	12.7					
12.40.3443	19.0	3/4				30	
12.40.3444	25.4	1				15	
12.40.3445	31.8	1 1/4				15	
12.40.3446	38.1	1 1/2				8	
12.40.3447	50.8	2				1	
12.40.3869	63.5	2 1/2				1	
12.40.3870	76.2	3				1	
12.40.3871	88.9	3 1/2				1	
12.40.3872	101.6	4				1	
12.40.3873	127	5				1	
12.40.3874	152.4	6				1	



7.5 - SERIE CAL. CODO CONDUIT
RIGIDO DE ALUMINIO

7.5 - ALUMINUM RIGID ELBOW.

Expediente

Control

Embarques

Almacén

Producción

- Antes de fincar el pedido en firme, favor de confirmar con fábrica el plazo de embarque definitivo.
- Before place your order, please confirm with RAWELT definitive date of shipment.